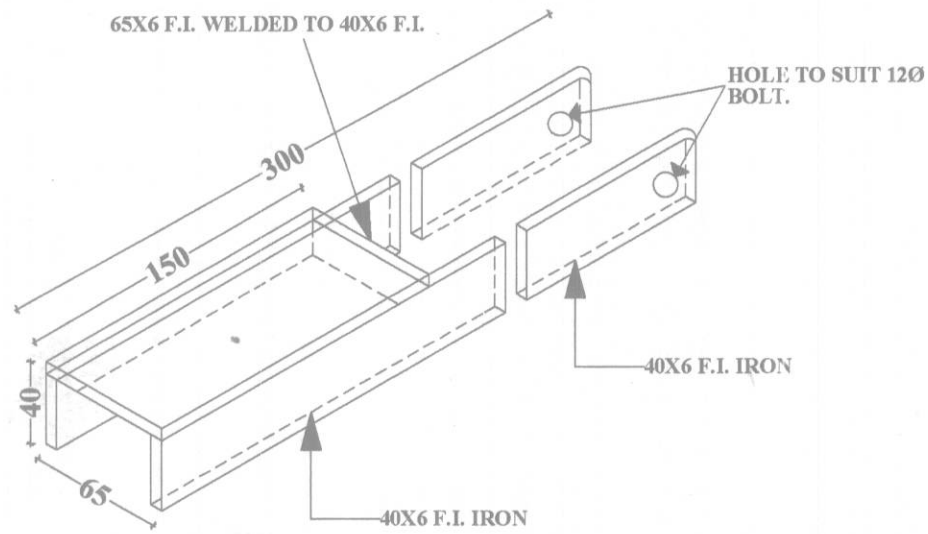
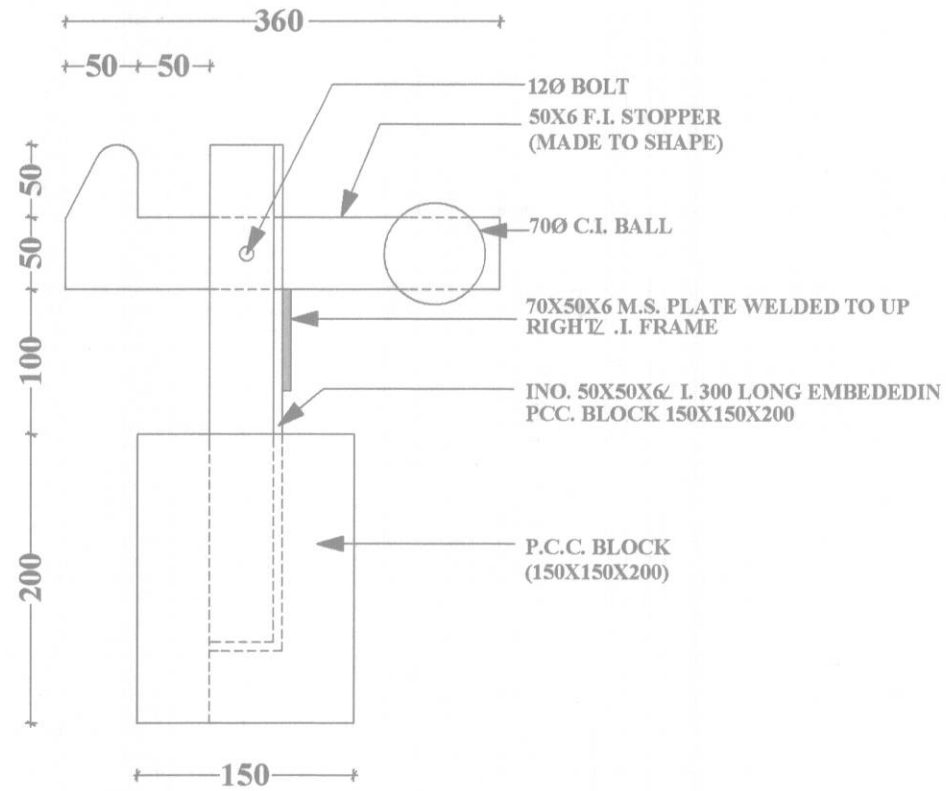


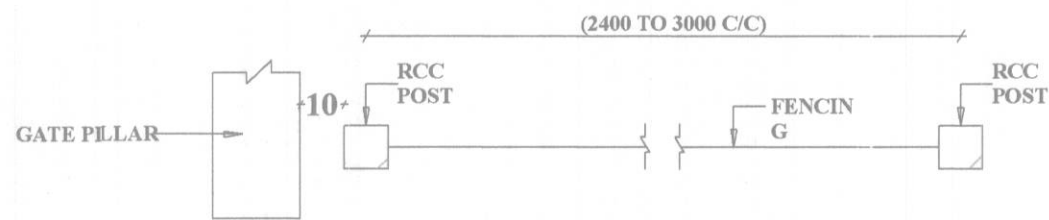
FOR NOTES REF. SHEET NO. 1/5 OF THIS DRG.



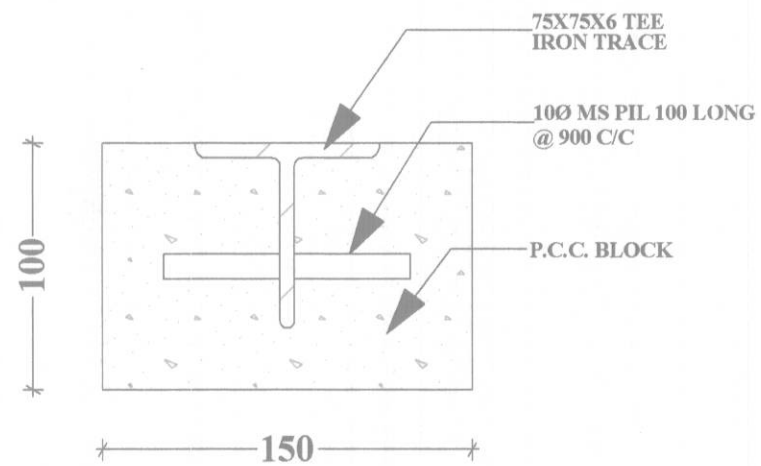
ISOMETRIC VIEW OF GATE CLOSER
 SCALE:-1:2



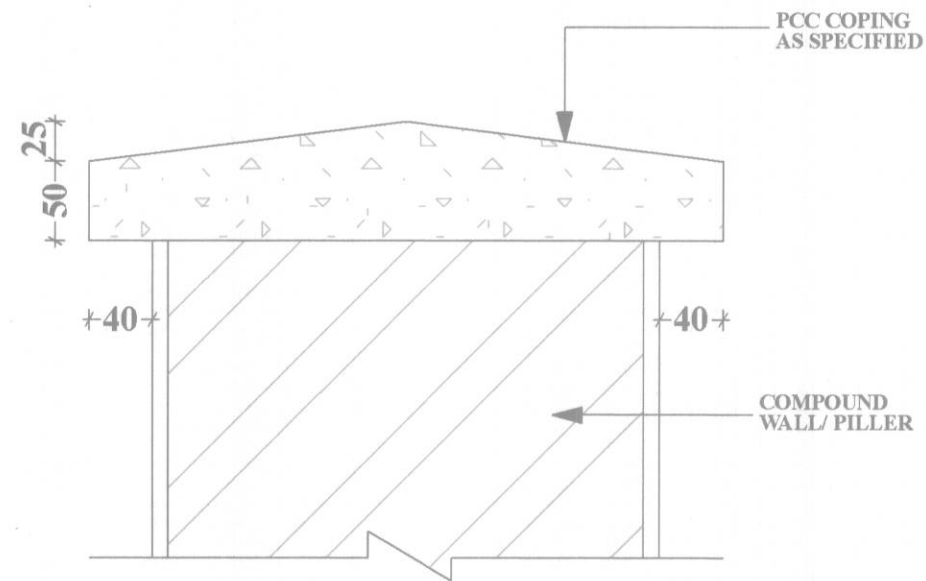
DETAIL OF STOPPER
 SCALE:-1:5



PLAN SHOWING FIXING OF FENCING
 SCALE:-1:20



DETAIL OF WHEEL TRACK
 SCALE:-1:5



TY. DETAIL OF PCC COPING
 SCALE:-1:20

125

S.NO.	DATE	DESCRIPTION	INITIAL
REVISION			

STEEL GATE 5000 TO 7500 WIDE

ISOMETRIC VIEW OF GATE CLOSER,
 PLAN SHOWING FIXING OF FENCING,
 DETAIL OF STOPPER, TY. DETAIL OF PCC
 COPING, DETAIL OF WHEEL TRACK

GAGAN ASSOCIATES
 ARCHITECTS & VALUERS
 293, C.B. PH-1 JAL.
 203 A, G. FL. SEC. -44A, CHD. 98766-02949

DATE	20-05-11
DRN	
TCD.	
CKD	<i>Senh</i>
SCALE	AS SHOWN

**CHIEF ENGINEER
 JALANDHAR ZONE**

DRG NO:
 CEJZ/STD-305/11

SH. NO:
 4/5

AAD (ARCH.)

W
 DIRECTOR (ARCH.)